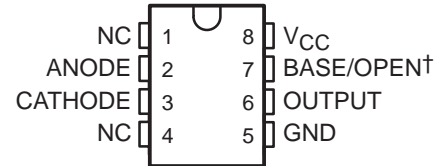


6N135, 6N136, HCPL4502 OPTOCOUPLEDERS/OPTOISOLATORS

SOES022A – JULY 1986 – REVISED APRIL 1998

- Compatible with TTL Inputs
- High-Speed Switching . . . 1 Mbit/s Typ
- Bandwidth . . . 2 MHz Typ
- High Common-Mode Transient Immunity . . . 1000 V/ μ s Typ
- High-Voltage Electrical Insulation . . . 3000 Vdc Min
- Open-Collector Output
- UL Recognized . . . File Number 65085

6N135, 6N136, OR HCPL4502 PACKAGE
(TOP VIEW)



† Terminal 7 is BASE on the 6N135 and 6N136 and OPEN on the HCPL4502

NC – No internal connection

description

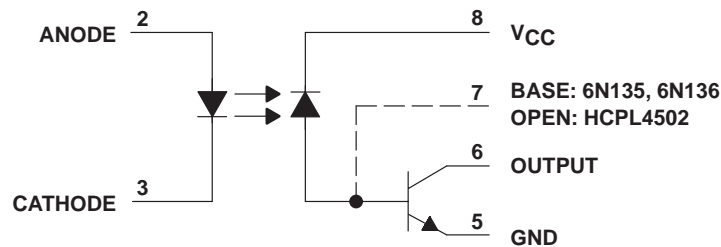
These high-speed optocouplers are designed for use in analog or digital interface applications that require high-voltage isolation between the input and output. Applications include line receivers that require high common-mode transient immunity, and analog or logic circuits that require input-to-output electrical isolation.

The 6N135, 6N136, and HCPL4502 optocouplers each consists of a light-emitting diode and an integrated photon detector composed of a photodiode and an open-collector output transistor. Separate connections are provided for the photodiode bias and the transistor-collector output. This feature, which reduces the transistor base-to-collector capacitance, results in speeds up to one hundred times that of a conventional phototransistor optocoupler.

The 6N135 is designed for TTL/CMOS, TTL/LSTTL, and wide-band analog applications.

The 6N136 and HCPL4502 are designed for high-speed TTL/TTL applications. The HCPL4502 has no base connection.

schematic



6N135, 6N136, HCPL4502 OPTOCOUPERS/OPTOISOLATORS

SOES022A – JULY 1986 – REVISED APRIL 1998

absolute maximum ratings at 25°C free-air temperature (unless otherwise noted)†‡

Supply and output voltage range, V_{CC} and V_O	–0.5 V to 15 V
Reverse input voltage	5 V
Emitter-base reverse voltage	5 V
Peak input forward current (pulse duration = 1 ms, 50% duty cycle, see Note 1)	50 mA
Peak transient input forward current (pulse duration 1 μ s, 300 Hz)	1 A
Average forward input current(see Note 2)	25 mA
Peak output current	16 mA
Average output current	8 mA
Base current	5 mA
Input power dissipation at (or below) 70°C free-air temperature (see Note 3)	45 mW
Output power dissipation at (or below) 70°C free-air temperature (see Note 4)	100 mW
Storage temperature range, T_{stg}	–55°C to 125°C
Operating free-air temperature range, T_A	–55°C to 100°C
Lead temperature 1,6 mm (1/16 inch) from case for 10 seconds	260°C

† Stresses beyond those listed under “absolute maximum ratings” may cause permanent damage to the device. These are stress ratings only, and functional operation of the device at these or any other conditions beyond those indicated under “recommended operating conditions” is not implied. Exposure to absolute-maximum-rated conditions for extended periods may affect device reliability.

‡ JEDEC registered data for 6N135 and 6N136

- NOTES:
1. Derate linearly above 70°C free-air temperature at the rate of 1.67 mA/°C.
 2. Derate linearly above 70°C free-air temperature at the rate of 0.83 mA/°C.
 3. Derate linearly above 70°C free-air temperature at the rate of 1.50 mW/°C.
 4. Derate linearly above 70°C free-air temperature at the rate of 3.33 mW/°C.



POST OFFICE BOX 655303 • DALLAS, TEXAS 75265

6N135, 6N136, HCPL4502 OPTOCOUPLEDERS/OPTOISOLATORS

SOES022A – JULY 1986 – REVISED APRIL 1998

electrical characteristics over operating free-air temperature range of 0°C to 70°C (unless otherwise noted)

PARAMETER	TEST CONDITIONS	6N135			6N136, HCPL4502			UNIT
		MIN	TYP†	MAX	MIN	TYP†	MAX	
V_F ‡	Input forward voltage	$I_F = 16 \text{ mA}$, $T_A = 25^\circ\text{C}$		1.6	1.7	1.6	1.7	V
∞V_F	Temperature coefficient of forward voltage	$I_F = 16 \text{ mA}$		-1.8		-1.8		mV/°C
V_{BR} ‡	Input breakdown voltage	$I_R = 10 \mu\text{A}$, $T_A = 25^\circ\text{C}$		5		5		V
V_{OL}	Low-level output voltage	$V_{CC} = 4.5 \text{ V}$, $I_F = 16 \text{ mA}$, $I_B = 0$	$I_{OL} = 1.1 \text{ mA}$	0.1		0.4		V
			$I_{OL} = 2.4 \text{ mA}$			0.1		
I_{OH} ‡	High-level output current	$I_F = 0$, $I_B = 0$, $T_A = 25^\circ\text{C}$	$V_{CC} = V_O = 5.5 \text{ V}$	3		500		nA
			$V_{CC} = V_O = 15 \text{ V}$	0.01		1		μA
I_{OH}	High-level output current	$V_{CC} = 15 \text{ V}$, $I_F = 0$,	$V_O = 15 \text{ V}$, $I_B = 0$	50		50		μA
I_{CCH} ‡	Supply current, high-level output	$V_{CC} = 15 \text{ V}$, $I_F = 0$, $T_A = 25^\circ\text{C}$	$I_O = 0$, $I_B = 0$,	0.02		1		μA
I_{CCH}	Supply current, high-level output	$V_{CC} = 15 \text{ V}$, $I_F = 0$,	$I_O = 0$, $I_B = 0$	2		2		μA
I_{CCL}	Supply current, low-level output	$V_{CC} = 15 \text{ V}$, $I_F = 16 \text{ mA}$,	$I_O = 0$, $I_B = 0$	40		40		μA
h_{FE}	Transistor forward current transfer ratio	$V_O = 5 \text{ V}$,	$I_O = 3 \text{ mA}$	100		100 (6N136 only)		
CTR ‡	Current transfer ratio	$V_{CC} = 4.5 \text{ V}$, $I_F = 16 \text{ mA}$, $T_A = 25^\circ\text{C}$,	$V_O = 0.4 \text{ V}$, $I_B = 0$, See Note 5	7% 18%		19% 24%		
CTR	Current transfer ratio	$V_{CC} = 4.5 \text{ V}$, $I_F = 16 \text{ mA}$, See Note 5	$V_O = 0.5 \text{ V}$, $I_B = 0$,	5%		15%		
r_{IO}	Input-output resistance	$V_{IO} = 500 \text{ V}$, See Note 6	$T_A = 25^\circ\text{C}$,	10^{12}		10^{12}		Ω
I_{IO} ‡	Input-output insulation leakage current	$V_{IO} = 3000 \text{ V}$, $T_A = 25^\circ\text{C}$, See Note 6	$t = 5 \text{ s}$, RH = 45%,	1		1		μA
C_i	Input capacitance	$V_F = 0$,	$f = 1 \text{ MHz}$	60		60		pF
C_{io}	Input-output capacitance	$f = 1 \text{ MHz}$,	See Note 6	0.6		0.6		pF

† All typical values are at $T_A = 25^\circ\text{C}$.

‡ JEDEC registered data for 6N135 and 6N136

- NOTES: 5. Current transfer ratio is defined as the ratio of output collector current I_O to the forward LED input current I_F times 100%.
6. These parameters are measured with terminals 2 and 3 shorted together and terminals 5, 6, 7, and 8 shorted together.

6N135, 6N136, HCPL4502 OPTOCOUPPLERS/OPTOISOLATORS

SOES022A – JULY 1986 – REVISED APRIL 1998

operating characteristics, $V_{CC} = 5\text{ V}$, $I_F = 16\text{ mA}$, $T_A = 25^\circ\text{C}$ (unless otherwise noted)

PARAMETER	TEST CONDITIONS	6N135			6N136, HCPL4502			UNIT
		MIN	TYP	MAX	MIN	TYP	MAX	
BW Bandwidth (–3 dB)	$R_L = 100\ \Omega$, See Note 7	2			2			MHz

NOTE 7: Bandwidth is the range of frequencies within which the ac output voltage is not more than 3 dB below the low-frequency value.

switching characteristics at $V_{CC} = 5\text{ V}$, $I_F = 16\text{ mA}$, $T_A = 25^\circ\text{C}$

PARAMETER	TEST CONDITIONS	6N135			6N136, HCPL4502			UNIT
		MIN	TYP	MAX	MIN	TYP	MAX	
t_{PLH}^\dagger	Propagation delay time, low-to-high-level output $R_L = 4.1\text{ k}\Omega$, See Figure 1	1 1.5						μs
	$R_L = 1.9\text{ k}\Omega$, See Figure 1				0.6 0.8			
t_{PHL}^\dagger	Propagation delay time, high-to-low-level output $R_L = 4.1\text{ k}\Omega$, See Figure 1	0.7 1.5						μs
	$R_L = 1.9\text{ k}\Omega$, See Figure 1				0.6 0.8			
$\frac{dV_{CM}}{dt}$ (H)	Common-mode input transient immunity, high-level output $\Delta V_{CM} = 10\text{ V}$, $R_L = 4.1\text{ k}\Omega$, See Figure 2	1000						$\text{V}/\mu\text{s}$
	$\Delta V_{CM} = 10\text{ V}$, $R_L = 1.9\text{ k}\Omega$, See Figure 2				1000			
$\frac{dV_{CM}}{dt}$ (L)	Common-mode input transient immunity, low-level output $\Delta V_{CM} = 10\text{ V}$, See Notes 9 and 10, $R_L = 4.1\text{ k}\Omega$, See Figure 2	1000						$\text{V}/\mu\text{s}$
	$\Delta V_{CM} = 10\text{ V}$, See Notes 9 and 10, $R_L = 1.9\text{ k}\Omega$, See Figure 2				1000			

† JEDEC registered data for 6N135 and 6N136

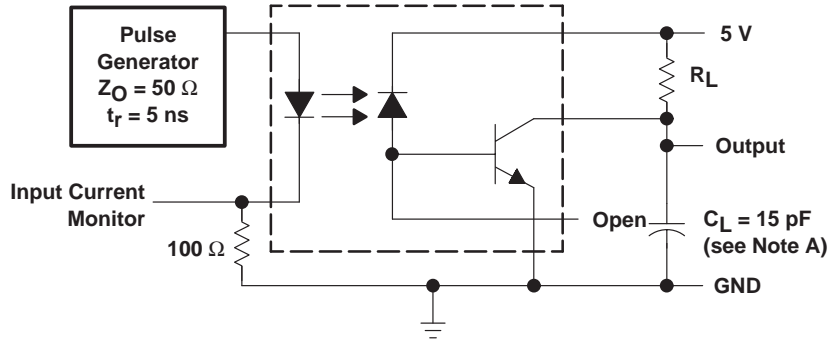
NOTES: 8. The 4.1-k Ω load represents one LSTTL unit load of 0.36 mA and a 6.1-k Ω pullup resistor.

9. The 1.9-k Ω load represents one TTL unit load of 1.6 mA and a 5.6-k Ω pullup resistor.

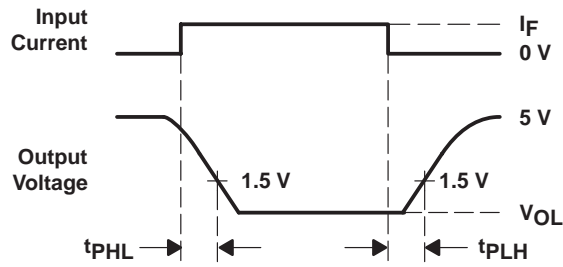
10. Common-mode transient immunity, high-level output, is the maximum rate of rise of the common-mode input voltage that does not cause the output voltage to drop below 2 V. Common-mode input transient immunity, low-level output, is the maximum rate of fall of the common-mode input voltage that does not cause the output voltage to rise above 0.8 V.



PARAMETER MEASUREMENT INFORMATION



TEST CIRCUIT



WAVEFORMS

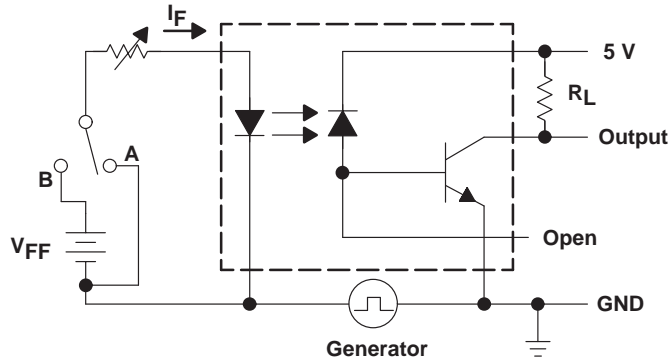
NOTE A: C_L includes probe and stray capacitance.

Figure 1. Switching Test Circuit and Waveforms

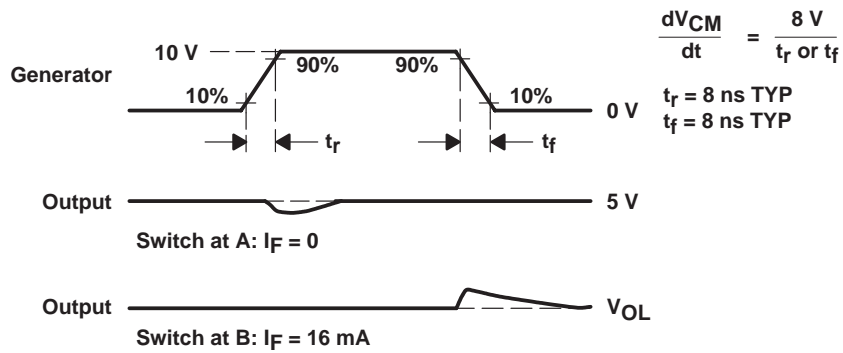
6N135, 6N136, HCPL4502 OPTOCOUPPLERS/OPTOISOLATORS

SOES022A – JULY 1986 – REVISED APRIL 1998

PARAMETER MEASUREMENT INFORMATION



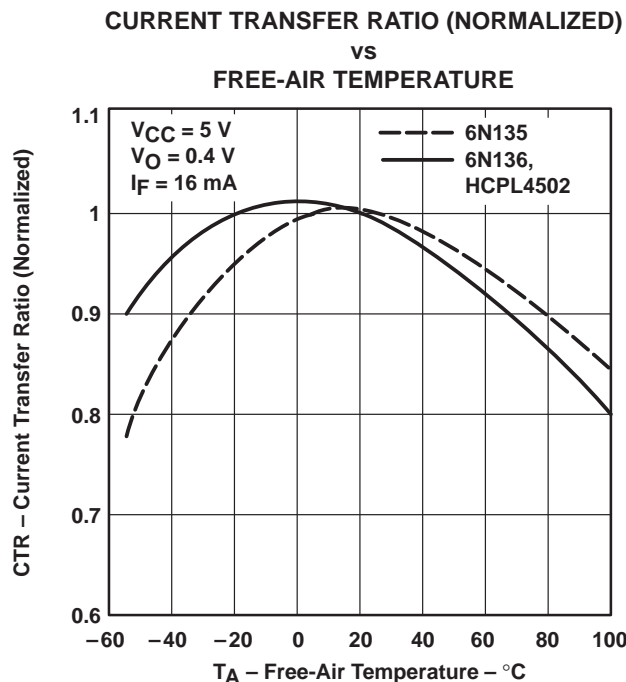
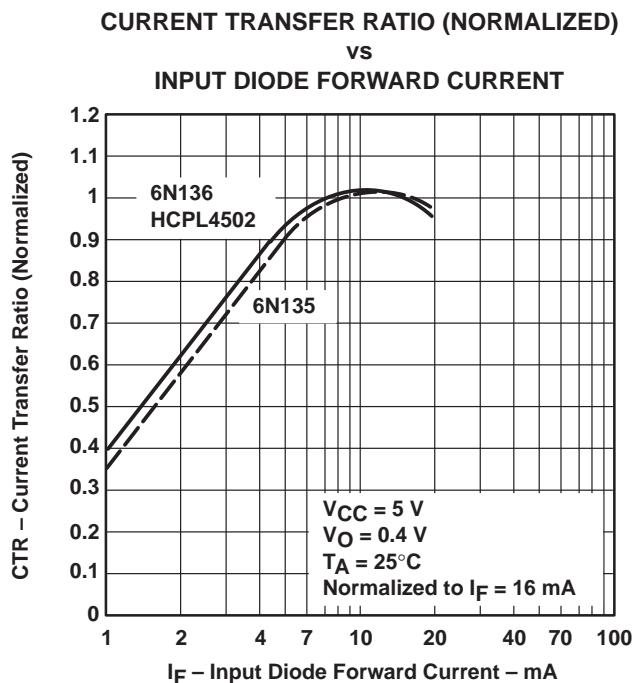
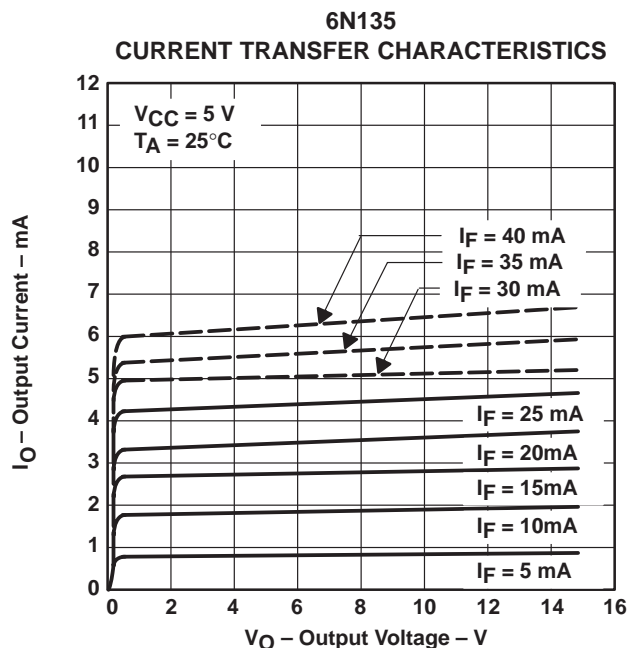
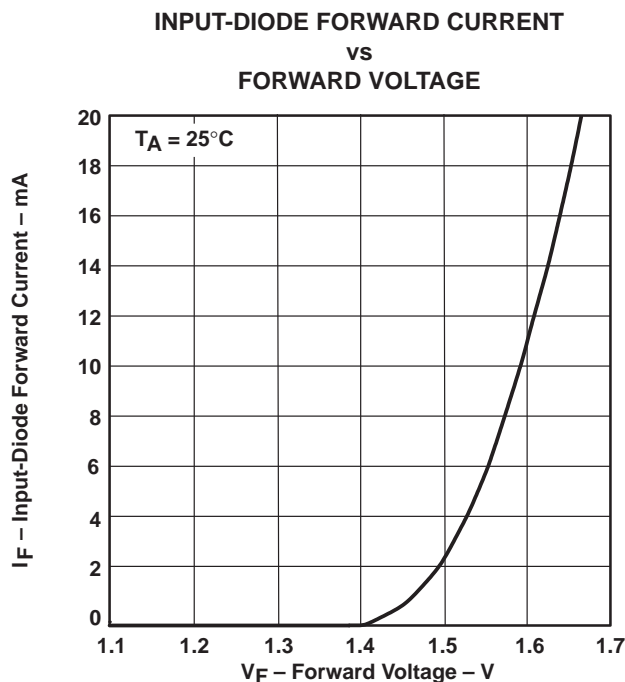
TEST CIRCUIT



VOLTAGE WAVEFORMS

Figure 2. Transient Immunity Test Circuit and Waveforms

TYPICAL CHARACTERISTICS



6N135, 6N136, HCPL4502 OPTOCOUPLEDERS/OPTOISOLATORS

SOES022A – JULY 1986 – REVISED APRIL 1998

TYPICAL CHARACTERISTICS

**HIGH-LEVEL OUTPUT CURRENT
vs
FREE-AIR TEMPERATURE**

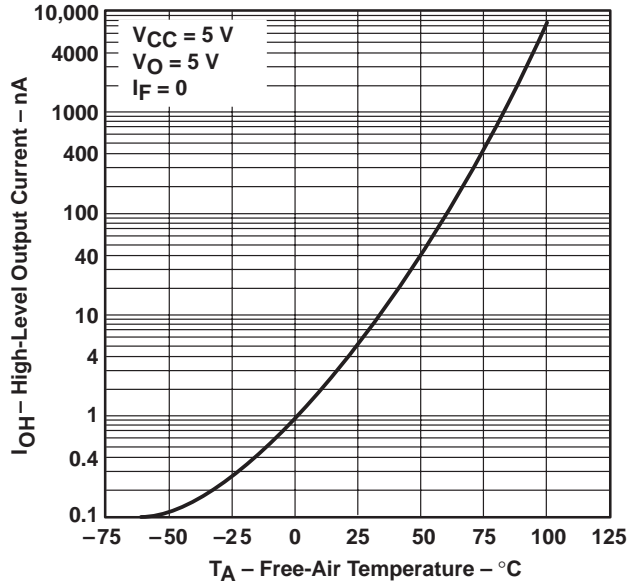


Figure 7

**DIFFERENTIAL CURRENT TRANSFER RATIO
vs
INPUT-DIODE QUIESCENT FORWARD CURRENT**

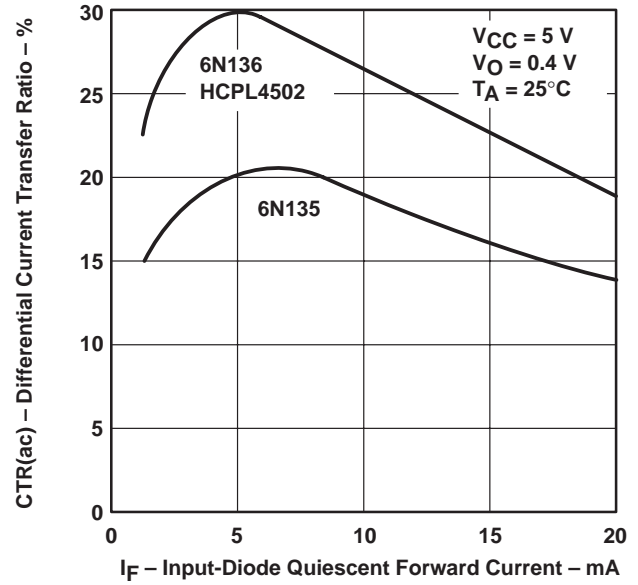


Figure 8

**FREQUENCY RESPONSE (NORMALIZED)
vs
FREQUENCY**

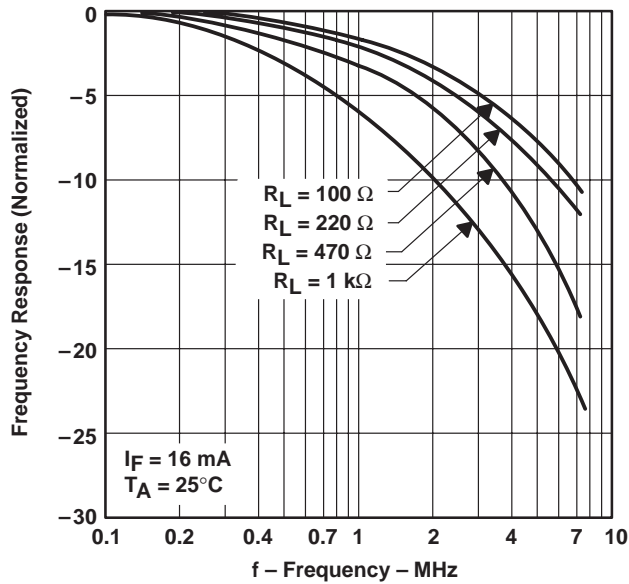


Figure 9

**PROPAGATION DELAY TIME
vs
FREE-AIR TEMPERATURE**

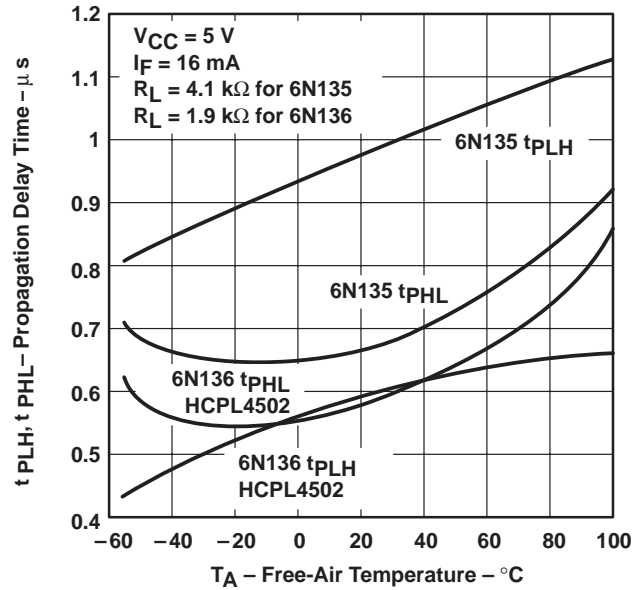
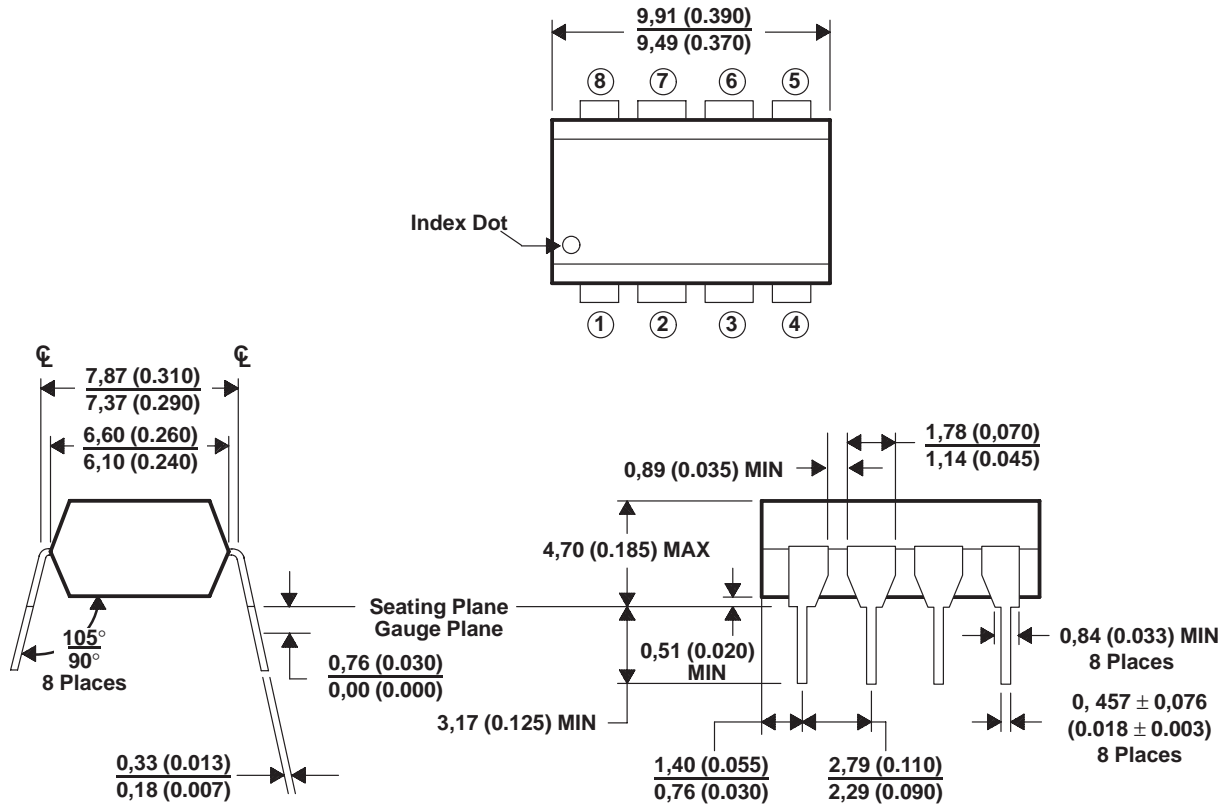


Figure 10



MECHANICAL INFORMATION



NOTES: A. JEDEC registered data. This data sheet contains all applicable registered data in effect at the time of publication.
B. All linear dimensions are given in millimeters and parenthetically given in inches.

Figure 11. Packaging Specifications

PACKAGING INFORMATION

Orderable Device	Status ⁽¹⁾	Package Type	Package Drawing	Pins	Package Qty	Eco Plan ⁽²⁾	Lead/Ball Finish	MSL Peak Temp ⁽³⁾
6N135	OBSOLETE	PDIP	N	8		TBD	Call TI	Call TI
6N136	OBSOLETE	PDIP	N	8		TBD	Call TI	Call TI
HCPL4502	OBSOLETE	PDIP	N	8		TBD	Call TI	Call TI

⁽¹⁾ The marketing status values are defined as follows:

ACTIVE: Product device recommended for new designs.

LIFEBUY: TI has announced that the device will be discontinued, and a lifetime-buy period is in effect.

NRND: Not recommended for new designs. Device is in production to support existing customers, but TI does not recommend using this part in a new design.

PREVIEW: Device has been announced but is not in production. Samples may or may not be available.

OBSOLETE: TI has discontinued the production of the device.

⁽²⁾ Eco Plan - The planned eco-friendly classification: Pb-Free (RoHS) or Green (RoHS & no Sb/Br) - please check <http://www.ti.com/productcontent> for the latest availability information and additional product content details.

TBD: The Pb-Free/Green conversion plan has not been defined.

Pb-Free (RoHS): TI's terms "Lead-Free" or "Pb-Free" mean semiconductor products that are compatible with the current RoHS requirements for all 6 substances, including the requirement that lead not exceed 0.1% by weight in homogeneous materials. Where designed to be soldered at high temperatures, TI Pb-Free products are suitable for use in specified lead-free processes.

Green (RoHS & no Sb/Br): TI defines "Green" to mean Pb-Free (RoHS compatible), and free of Bromine (Br) and Antimony (Sb) based flame retardants (Br or Sb do not exceed 0.1% by weight in homogeneous material)

⁽³⁾ MSL, Peak Temp. -- The Moisture Sensitivity Level rating according to the JEDEC industry standard classifications, and peak solder temperature.

Important Information and Disclaimer:The information provided on this page represents TI's knowledge and belief as of the date that it is provided. TI bases its knowledge and belief on information provided by third parties, and makes no representation or warranty as to the accuracy of such information. Efforts are underway to better integrate information from third parties. TI has taken and continues to take reasonable steps to provide representative and accurate information but may not have conducted destructive testing or chemical analysis on incoming materials and chemicals. TI and TI suppliers consider certain information to be proprietary, and thus CAS numbers and other limited information may not be available for release.

In no event shall TI's liability arising out of such information exceed the total purchase price of the TI part(s) at issue in this document sold by TI to Customer on an annual basis.

IMPORTANT NOTICE

Texas Instruments Incorporated and its subsidiaries (TI) reserve the right to make corrections, modifications, enhancements, improvements, and other changes to its products and services at any time and to discontinue any product or service without notice. Customers should obtain the latest relevant information before placing orders and should verify that such information is current and complete. All products are sold subject to TI's terms and conditions of sale supplied at the time of order acknowledgment.

TI warrants performance of its hardware products to the specifications applicable at the time of sale in accordance with TI's standard warranty. Testing and other quality control techniques are used to the extent TI deems necessary to support this warranty. Except where mandated by government requirements, testing of all parameters of each product is not necessarily performed.

TI assumes no liability for applications assistance or customer product design. Customers are responsible for their products and applications using TI components. To minimize the risks associated with customer products and applications, customers should provide adequate design and operating safeguards.

TI does not warrant or represent that any license, either express or implied, is granted under any TI patent right, copyright, mask work right, or other TI intellectual property right relating to any combination, machine, or process in which TI products or services are used. Information published by TI regarding third-party products or services does not constitute a license from TI to use such products or services or a warranty or endorsement thereof. Use of such information may require a license from a third party under the patents or other intellectual property of the third party, or a license from TI under the patents or other intellectual property of TI.

Reproduction of information in TI data books or data sheets is permissible only if reproduction is without alteration and is accompanied by all associated warranties, conditions, limitations, and notices. Reproduction of this information with alteration is an unfair and deceptive business practice. TI is not responsible or liable for such altered documentation.

Resale of TI products or services with statements different from or beyond the parameters stated by TI for that product or service voids all express and any implied warranties for the associated TI product or service and is an unfair and deceptive business practice. TI is not responsible or liable for any such statements.

Following are URLs where you can obtain information on other Texas Instruments products and application solutions:

Products		Applications	
Amplifiers	amplifier.ti.com	Audio	www.ti.com/audio
Data Converters	dataconverter.ti.com	Automotive	www.ti.com/automotive
DSP	dsp.ti.com	Broadband	www.ti.com/broadband
Interface	interface.ti.com	Digital Control	www.ti.com/digitalcontrol
Logic	logic.ti.com	Military	www.ti.com/military
Power Mgmt	power.ti.com	Optical Networking	www.ti.com/opticalnetwork
Microcontrollers	microcontroller.ti.com	Security	www.ti.com/security
		Telephony	www.ti.com/telephony
		Video & Imaging	www.ti.com/video
		Wireless	www.ti.com/wireless

Mailing Address: Texas Instruments
Post Office Box 655303 Dallas, Texas 75265